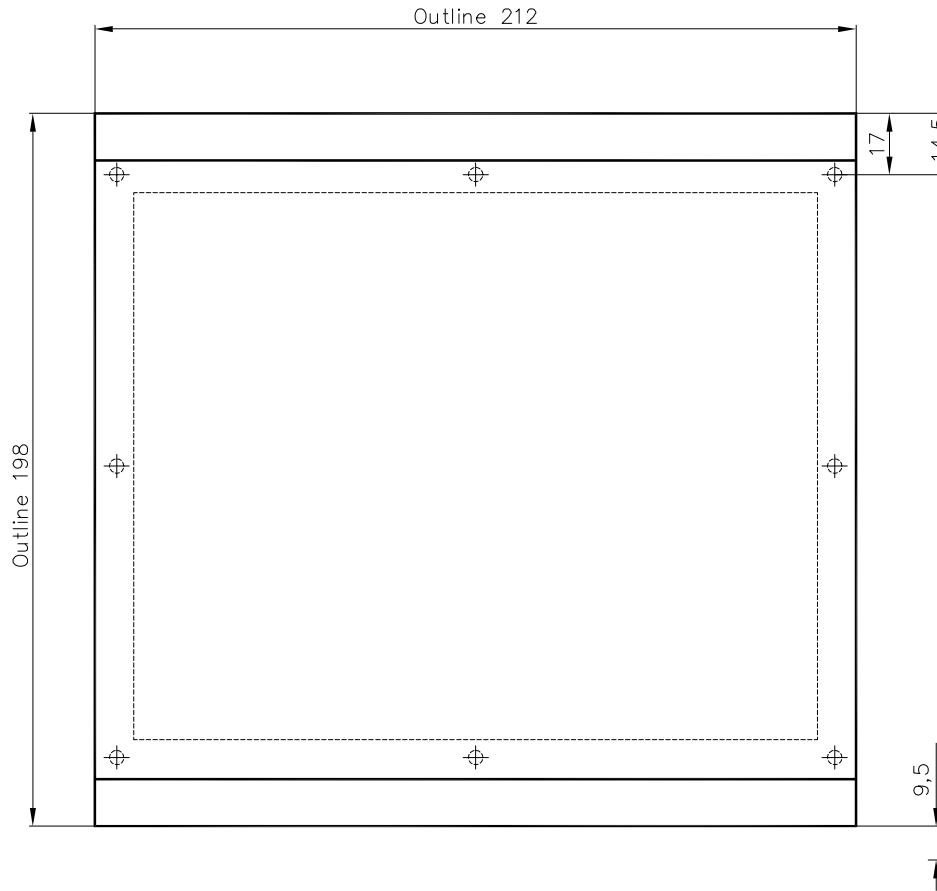
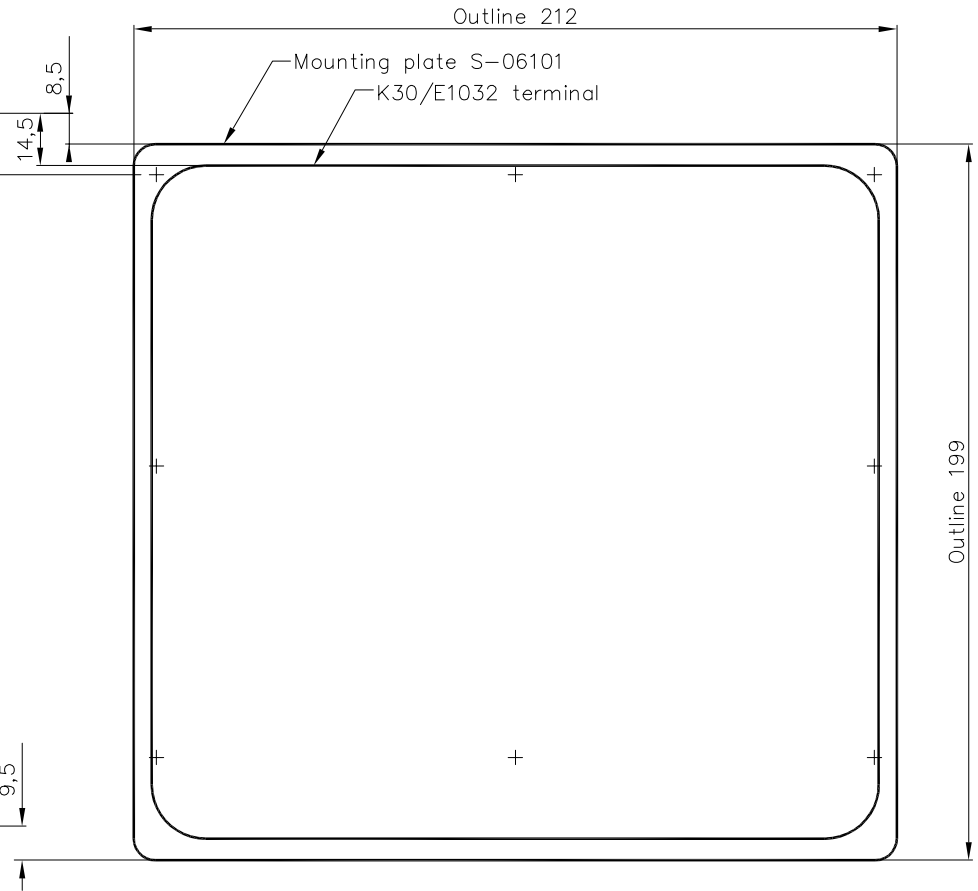


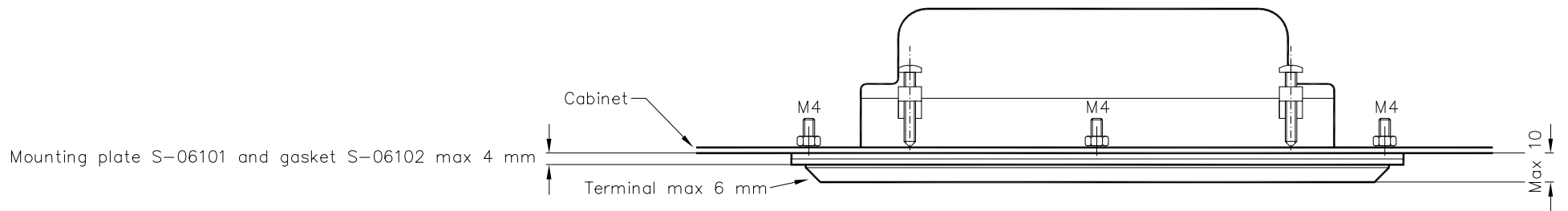
Front view C30/E300



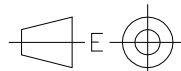
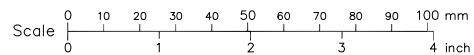
Front view K30/E1032



Top view K30/E1032



Drawn to scale 1:1



A2

		Complete mounting plate for K30/E1032 in C30/E300 mounting hole			
Drawn	Date	App.	Revision	Revision date	Page
EAN	2005-08-17		-	-	1
					Next page
					-
					Drawing No.
					S-06103